



YQ 系列频繁启动三相异步电动机
(机座号 80~355)

YQ SERIES FREQUENT START
THREE PHASE INDUCTION MOTOR
(FRAME SIZE 80~355)

使用说明书
Operation Manual

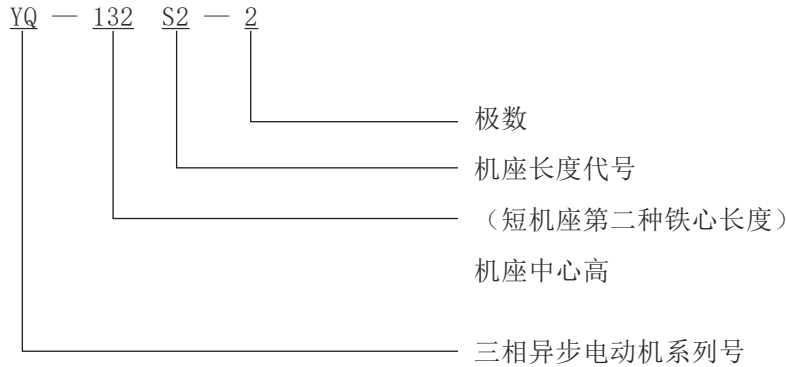
安徽皖南电机股份有限公司
Anhui Wannan Electric Machine Co.,Ltd

衷心感谢您选购、使用皖南电机。

在使用电动机之前，请扫码仔细阅读本说明书，以便您正确的使用和维护。

概述：我公司生产的 YQ 频繁启动三相异步电动机适用于需要高频启动的工况，电机外形美观，运行稳定。

电动机型号的意义：



一、运行使用条件

1. 海拔不超过 1000m。
2. 环境空气温度随季节而变化，但最高不超过 40℃，最低为 -15℃。
3. 最湿月月平均最高相对湿度为 90%，同时该月月平均最低温度不高于 25℃。
4. 电动机允许满压或降压起动，但应注意，满压起动电流为额定电流的 3.3 ~ 8.0 倍。降压起动时，因转矩与电压的平方成正比，电压下降时转矩也随之降低。故当静负荷相当大时只能用满压起动。
5. 电动机不得用于含有易燃性气体、化学腐蚀性气体或其它有害气体的环境中（特殊环境用电机除外）。
6. 电动机必须保持清洁，进风口及风道必须畅通无阻。
7. 电机接线通常有两种方式，未做特殊说明，4kW 以下电机为 Y 接法，4kW 及以上为 Δ 接法，使用前检查出线端在出线盒内的连接片位置是否正确，正确的连接片位置如图 1 所示。

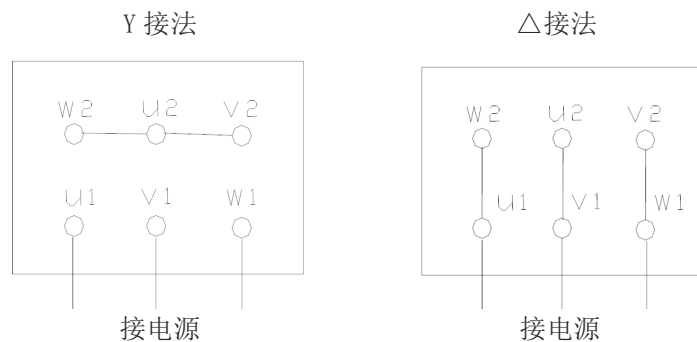


图 1 有六个出线头的低压定子出线接法示意图

二、安装与使用

警告!



1. 搬运电动机时，一定要小心谨慎!
2. 强烈的摔、碰、震会严重损坏轴承及其他元件。
3. 吊装带有吊攀的电动机时，一定要将吊攀旋紧。

1. 安装前的检查

- 仔细检查电动机外观是否完好、核对电动机铭牌内容是否与实际需求相符。
- 轻轻转动电机转轴，转动应轻快、灵活。
- 检查各零部件应联接正确、装配良好，紧固件应无松动。打开接线盒盖，用 500V 兆欧表测量电动机定子绕组绝缘电阻，所测值应不低于 5 MΩ。

注意 检查过程中，您若有疑问，请向有关专业技术人员请教或与我们联系。

2. 安装

警告!



1. 电源电压的波动不得超出额定电压的 95% ~ 105%。
2. 严格按图接线。
3. 必须接好接地线。
4. 通电前应取下轴伸上的轴套和平键，保持身体、衣物远离电动机旋转部分。
5. 电机运行若有异常立即停机。

- 电动机的安装应由专业技术人员完成。
- 电动机允许采用弹性联轴器、正齿轮及皮带轮传动。
- 电动机轴中心与被传动的主机轴中心要保持一致。
- 对带底脚的电动机，安装平面应平整、坚固。
- 引入的电缆芯线要接在两垫圈之间，注意芯线的飞刺不要突出。引入接线孔时应防止线芯损伤，引入电缆还须用接线压板和弓形垫圈压紧固定，防止窜动。
- 六端子接线盒通过连接片改变接法，可适应两种不同电压需要（见接线盒盖内侧）
- 电动机的相序 U、V、W 须与接入外电源相序 A、B、C 相对应，电动机转向从轴伸端视之为顺时针方向，否则电动机将反转，用户如需反转，可对调 U、V、W 的任两相。
- 电动机内、外接地螺栓必须可靠接地。
- 电动机接好线，经检查确认无误后，方可接通电源进行空载试运转，空载运行足够长的时间（一般在 30 ~ 40 分钟），并观察电机有无异常现象，待空转正常后投入负载运行。

三、维护与维修



警告!

1. 严禁缺相运行。
2. 反复多次起动会导致电机过热，甚至烧毁电机（特别是连续带负载直接起动）。
3. 防止过载，过载会导致过热，过热将缩短绝缘寿命，降低电动机的可靠性。

1. 电动机应定期检查和清扫，外壳不得堆积灰尘，不得用水喷射清扫电机。
2. 电动机运行时轴承允许温度不得超过 95 ℃（温度计法）。轴承每运行 2500 小时（约半年）至少检查一次。如发现轴承润滑脂变质必须及时更换。更换前，须将轴承外盖、贮油盒内的废油以及排油装置的油管、油杯清理干净，并将轴承清洗干净。润滑脂推荐采用 ZL3 锂基润滑脂小型电动机专用润滑脂，油脂添加量以加到轴承容腔的 1/3 ~ 1/2 左右为宜。轴承牌号见表。
3. H80 ~ 132 机座号的电机没有轴承内、外盖。拆卸电动机时，应先拆下风罩、再拆掉轴伸端的 V 型轴封环，拆去前端盖、后端盖的固定螺栓，将后端盖连同转子、风扇连体抽出。
4. 电机受潮后，必须经干燥处理后方可使用。干燥处理可采用烘干或短路电流法。在烘培过程中，温度应逐渐升高，但不可超过 145℃。用短路电流法干燥时（严重受潮的电机不宜用此方法，以免发生电解现象），电机处于短路状态，其输入电流取 0.6 ~ 0.8 倍额定电流值为宜。
5. 更换绕组时，须记下原绕组的型式、尺寸、线规、匝数。随意改变设计绕组会使电动机某项或几项性能恶化，以致不能使用。
6. 零部件维修、更换，须由专业技术人员按有关技术标准进行维修、验收。
7. 为保证电动机的正常运行，应根据实际使用情况对电动机进行定期检查，并需每年检修一次。
8. 电动机存放过久，可能会导致油脂硬化，在刚启动时会有异响。需空载运行半小时以上，使油脂润滑。

四、运行中的故障及其主要原因

在运行中必须经常检查电动机，以便能及时发现问题而消除之。不然这些故障能引起事故。下面叙述最常见到的故障和原因：

1. 机械的故障

• 轴承过热：可能是由于油量不足，油不清洁，油的品质降低，水滴侵入，油环卡住，转轴或轴衬表面的故障，在转轴颈与轴衬间的间隙缩小，轴承歪斜，轴颈压力过度及产生轴电流等所引起。

滚珠及滚柱轴承的过热，可能是由于润滑油不足或过多，转轴弯斜，转轴磨擦过大，润滑油内有杂质及外来物品以及钢珠损坏等所引起。

• 漏油及机内积油：是由于轴承内油量过多，轴承所有油质不良或粘度不对等所引起。也可能是由于轴承油槽内压力和轴承盖下压力不均匀所致。

• 电动机振动的厉害：机组的轴线没有对准，电动机在底板上的位置不正，转轴弯曲或轴颈振动，联轴器配合不良，转子皮带盘及联轴器平衡不良，轴颈与轴衬间的间隙过大，鼠笼转子断裂，转子铁心振动，底板不均匀的下沉，底板钢度不够，底板的振动周期与电动机（机组）的振动周期一样或接近，

皮带轮粗糙或皮带轮装置不正，传动机构工作不良及有碰撞现象等。

- 转子偏心：可能是由于轴衬松掉、轴承位移，转子及定子铁心变形，转轴弯曲及转子平衡不良等所引起的。

2. 电气的故障：

- 启动时不正常：由于接线错误、线路断路、工作电压不对、负载力矩过高或静力矩过大和启动设备有故障等所引起。

- 绝缘损坏：可能由于工作电压过高，酸性、碱性、氯气等有腐蚀性气体的损坏、太脏、过热、机械碰伤、温度过高，在温度小于 0℃ 下保藏和水分侵入等所引起。

- 绝缘电阻：由于不清洁、湿度太大，因温度变化过甚，以致表面凝集水滴，绝缘磨损和老化等所引起。

附表：

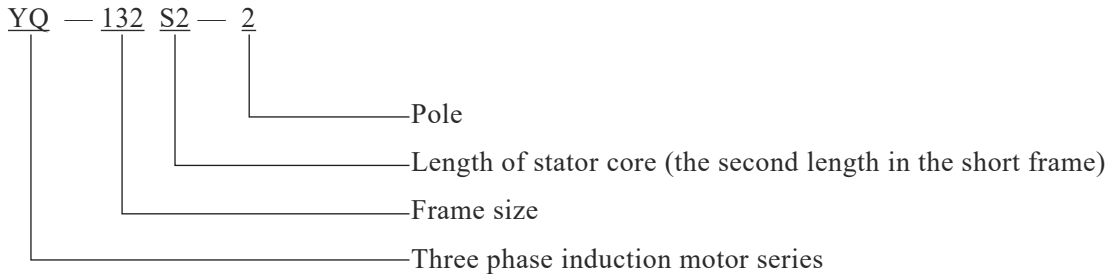
机座号	极 数	轴伸端	非轴伸端
80	2 ~ 8P	6204-2RZ	6204-2RZ
90	2 ~ 8P	6205-2RZ	6205-2RZ
100	2 ~ 8P	6206-2RZ	6206-2RZ
112	2 ~ 8P	6206-2RZ	6206-2RZ
132	2 ~ 8P	6208-2RZ	6208-2RZ
160	2 ~ 8P	6309-2RZ	6309-2RZ
180	2 ~ 8P	6311-2RZ	6311-2RZ
200	2 ~ 8P	6312-2RZ	6312-2RZ
225	2 ~ 8P	6313-2RZ	6312-2RZ
250	2P	6313	6313
	4 ~ 8P	6314	6313
280	2P	6314	6314
	4 ~ 8P	6317	6314
315	2P	6317	6317
	4 ~ 10P	NU319	6319
355	2P	6319	6319
	4 ~ 10P	NU322	6322

注：电机用轴承型号以实物使用型号为准，恕不另行通知

We are truly grateful for your purchasing of Wannan Motors. Before using the motor, please scan the QR code to read the manual so as to use and maintain the motor in a right way.

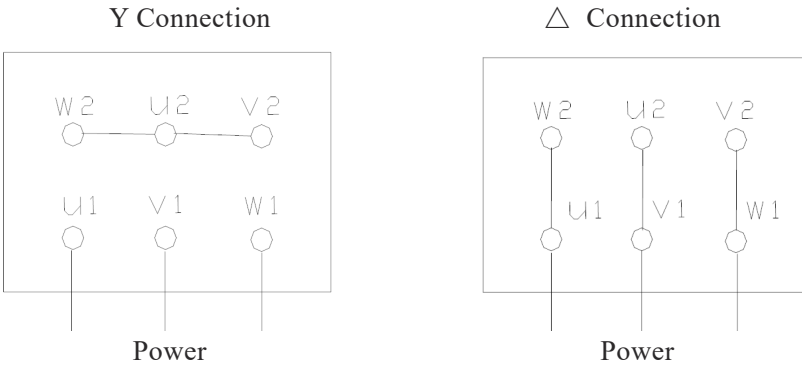
YQ Series Frequent Start Three Phase Induction Motor which is ideal for the working condition where frequent start is requires, the motor features on great performance and profile.

Model



1. Circumstance of use

- 1.1 The altitude not exceeding 1000m above sea level.
- 1.2 The ambient temperature subject to seasonal variations but not exceeding 40 °C and not less than -15°C .
- 1.3 The average highest relative humidity of wet month is 90%, the lowest temperature in this month is not more than 25°C 。
- 1.4 Motor can be started at rated voltage or reduced voltage. Starting current is 3.3-8.0 times rated current at rated voltage. Because the torque is directly proportional to the square voltage, so, the lower of the voltage, the lower of the torque, then if the static load is large enough, the motor can be started with rated voltage only.
- 1.5 Check and make sure there is no damaging gas, such as corrosive gases, inflammable gases and other chemical gases or steam existing in the environment.
- 1.6 Check and make sure the clean good ventilation of the motor.
- 1.7 There are two kinds of connections of the motor. Motor less than 4kw is Y connection, 4kw and up is Δ connection. Check the connections of the terminals according to the diagram to make sure the correct connection.



2 Installation & operation



Warning!

Be careful when handling motor !
Strong falling, bumping or shaking will damage bearing and other elements.
Make sure the eyebolt is tightened before lifting up the motor.

2.1 Inspection before installation

2.1.1 Check and make sure the appearance of the motor is in good order. Check and make sure the motor nameplate is consistent with the actual.

2.1.2 Rotate the motor shaft gently and make sure it can rotate smoothly.

2.1.3 Check all parts to be connected correctly, good assembled and no loosen fasteners.

2.1.4 Open the terminal box cover and measure the insulation resistance of the winding by 500v meg-ohmmeter, the value should not less than 5 MΩ.

Notice

If you have any question during the inspection, please consult a professional technician or contact us.

2.2 Installation



Warning!

1. Voltage fluctuation of the supplied power should not exceed 95% ~ 105% of the rated voltage.
2. Connect the motor according to connection diagram strictly.
3. Connect grounding wire carefully.
4. Remove the sleeve and key on the shaft end before power up, keep body and clothes far away from rotating parts of motor.
5. Stop the motor immediately if any abnormal happened.

2.2.1 Installation should be performed by professional.

2.2.2 Allowed transmission method is flexible coupling, spur gear and belt pulley.

2.2.3 The shaft center of the motor must keeps consisting with that of the load.

2.2.4 If the motor has the mounting feet, mounting face should be flat and solid.

2.2.5 The core of the power line cable should be connected between the two washers, check and make sure there is no flying spur. Check and make sure no damage of the cable when put through the cable entry of the terminal box, the cable should be fixed by a blanking plate and bow washer to prevent moving.

2.2.6 Change the connection of the straps for the six terminals to suitable for different voltage purpose (refer the connection diagram inside the terminal box cover).

2.2.7 Motor will rotate clockwise viewed from driving shaft end if the terminal U,V,W is connected to power line phase sequence A, B, C. Otherwise the motor will rotate anti-clockwise. Provided the revise rotation is need, the end user can change the any two of U, V, W sequence.

2.2.8 Check and make sure the safely grounded internal & external grounding bolt. After checking all the connections, turn on power to run the motor with no-load for 30-40min, and then run the motor with load.

3. Maintenance



Warning!

Lack of phase operation is prohibited.

Repeated starting will cause overheating of motor, or even damage motor. (In particular, start with the load directly).

Prevent overload. Overload will cause overheating, and overheating will shorten the insulation life. As a result, it will reduce motor reliability.

3.1 Check and clean the motor periodically, make sure no dust cover the motor and do not inject water to clean the motor.

3.2 Bearing temperature should not exceed 95 °C during operation. The bearing should be inspected every 2500h operation at least. The deteriorated lubricating grease must be replaced promptly. Before the replacement, should clean the outer bearing cover, grease container and the bearing. ZL3 lithium based grease special for middle and small size motors is recommended. Grease quantity should be about 1/3-1/2 of the bearing cavity. Bearing size is listed in the table below.

3.3 For the motor that without inner and outer bearing cover the fan cover can be removed firstly when disassembling, and then remove V-seal ring on the drive end, remove the bolts on DE and NDE end bracket, take out the rotor with the NDE bracket and the cooling fan.

3.4 Motor must be dried before use if the motor was affected with damp. Drying process can be by baking or short-circuit current method. The temperature should be increased step by step but not exceed 145°C during the baking. The motor is connected in short circuit condition if dry it by short-circuit method; the input current should be 0.6-0.8 times rated current. And if the motor was very wet, the short-circuit method will not be suitable to avoid the electrolysis happened.

3.5 Before replace the winding, the original type, dimensions, diameter and turns of the coil should be recorded. Arbitrarily changing the winding will decrease the performance of the motor, and even to damage the motor.

3.6 Any maintenance or change of the part must be done by professional.

3.7 To inspect the motor periodically according to the operation, once a year at least.

3.8 The motor is stored for a long time, May lead to grease hardening. It will have abnormal sound when started. Need to run more than half an hour, lubricate grease.

4. Failures & reasons

Check motors frequently in order to remove the possible failure in advance. The usual failures are as follows:

4.1 Mechanical fault:

Bearing overheating: lack of grease, dirty grease, low quality grease, water intrusion, oil ring stuck, surface fault of bushing, the distance shrink between shaft and bushings, shaft neck pressure excessive and produces axis current and so on.

Leakage of grease or grease founded inside the motor: too much grease inside the bearing, bad quality grease or incorrect viscosity grease, any unequal pressure inside the bearing oil container and the bearing cover.

High vibration: inconsistent center line of the shaft between motor and the driven machine, incorrect mounting position on base plate, bend of the shaft, bad mate of the coupling, broken rotor bar, unbalance of the base plate, syntony of the motor and the base plate, rough belt coupling, incorrect position of the belt coupling, incorrect work of the transmission and the confliction of the motor, etc.

Eccentric of rotor: the loose bushing, bearing displacement, the deformation of rotor and stator, bend of the shaft and unbalance of the rotor.

4.2 Electrical Fault:

Abnormal starting: incorrect connection, open circuit, incorrect voltage, too high load torque and too high static torque, mistake of the starting equipment, and so on.

Motor overheating: too high or too low voltage, overload, short of cooling air, too high ambient temperature, short circuit or dirty of the motor, etc.

Insulation damage: acidic, alkaline, chlorine, and other corrosive gases exist, too dirty, overheat, mechanical damage, too high environment temperature, stock under 0 °C and moisture come into the motor, etc.

Low insulation resistance: dirty, high humidity, temperature variable too large, condensation on the surface, wear out and aging of insulation material, etc.

Attachment:

Frame	Poles	DE	NDE
80	2 ~ 8P	6204-2RZ	6204-2RZ
90	2 ~ 8P	6205-2RZ	6205-2RZ
100	2 ~ 8P	6206-2RZ	6206-2RZ
112	2 ~ 8P	6206-2RZ	6206-2RZ
132	2 ~ 8P	6208-2RZ	6208-2RZ
160	2 ~ 8P	6309-2RZ	6309-2RZ
180	2 ~ 8P	6311-2RZ	6311-2RZ
200	2 ~ 8P	6312-2RZ	6312-2RZ
225	2 ~ 8P	6313-2RZ	6312-2RZ
250	2P	6313	6313
	4 ~ 8P	6314	6313
280	2P	6314	6314
	4 ~ 8P	6317	6314
315	2P	6317	6317
	4 ~ 10P	NU319	6319
355	2P	6319	6319
	4 ~ 10P	NU322	6322

Note: Information here is indicative only. Actual product may differ.

敬告用户：

请您按照本使用说明书的规定，正确地使用和储存电动机，我们将为您提供优质、快捷的服务。

在电动机使用过程中，您如有什么疑惑请与我们联系，我们将及时给予您满意的解答；您有什么良好的建议请向我们提出，以便我们改进，为您提供优质、快捷的服务。

安徽皖南电机股份有限公司对本使用说明书保留最终解释权。

请勿在未事先获得安徽皖南电机股份有限公司书面许可的情况下向第三方复制、公布或者使用本使用说明书内容。

Dear user,

Please use and store the motor right following the instruction of the manual. We will make our effort to provide you with high-quality and prompt service. Contact us if you had any questions in application, and we will offer you timely and effective resolution; let us know if you had any advices or suggestions, with which we can improve ourselves and make service better. Anhui Wannan Motor Co., Ltd. reserves the right of final interpretation of the user manual. No copy, disclosing or using of the content of this user manual to third parties prior to written permission from Anhui Wannan Motor Co., Ltd.

安徽皖南电机股份有限公司

Anhui Wannan Electric Machine Co.,Ltd

地址：安徽省泾县泾川镇南华路 86 号

Address: No.86 Nanhua Road Jingxian County Anhui Province P.R.C

销售处 Sales department: 400-111-0563 0563-5031908 5031988

客户服务中心 Customer service center: 0563-5031953

企业管理处 Enterprises management department: 0563-5031954

质量检验处 Quality inspection department: 0563-5031910 5031985

传真 Fax: (0563) 5029999 5023698

网址 Website: <http://www.wnmotor.com>

E-mail: wndjc@wnmotor.com

邮编 Postal code: 242500

本说明书内容如有变动，恕不另行通知。

Content in the manual may be changed without prior notice.